

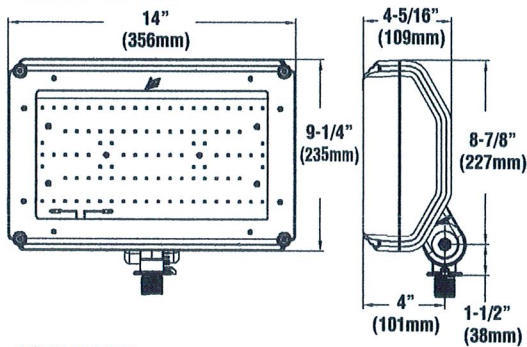
LIGX1170-BLK \* LIGX1170-BRZ

**LED FLOOD LIGHT - MEDIUM (PFLM)**

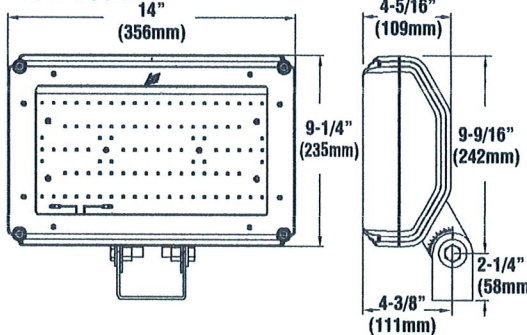


**DIMENSIONS**

**KNUCKLE MOUNT**



**YOKE MOUNT**



**PRESSURE STABILIZING VENT** – Luminaire assembly incorporates a pressure stabilizing vent breather to prevent seal fatigue and failure.

**EXPECTED LIFE** - Minimum 60,000 to 100,000 hours depending upon the ambient temperature of installation location.

**LEDS** - Features an array of select, mid-power, high brightness, high efficiency LED chips; CW - 5000°K color temperature, 70 CRI (nominal) or NW - 4000°K color temperature, 80 CRI (nominal).

**DISTRIBUTION/PERFORMANCE** - High performance, Wide Flood distribution (WFL).

**HOUSING** – Architecturally styled, one-piece, die-cast aluminum, 360 alloy, low copper housing features a multi-radius rectangular shape with integral cooling ribs over the back, and .156" nominal wall thickness. One-piece vulcanized silicone gasket seals the door frame to the housing and is concealed when fixture is closed.

**DOOR FRAME** – One-piece, die-cast aluminum, 360 alloy, low copper .156" nominal wall thickness door frame secures to housing via four, stainless steel recessed captive torx T-30 screws. 3/16" thick clear tempered glass lens is sealed to door frame by a one-piece silicone gasket and ten black zinc plated clips.

**MOUNTING** - Standard is a heavy duty die-cast knuckle assembly with 3/4" NPSM male threaded arm that provides up 185° range of motion. Knuckle locking plate teeth and arm allow for tilt / aiming in 7.5° increments. Aiming angle markings in 15° increments allow reliable error free aiming. Standard knuckle mount tested to withstand up to 3G vibration load rating per ANSI C136.31. Optional YM - Yoke mount is also available. Mounting accessories include Stanchion Mount, Post-Top Adaptor, Junction Box, & Wall Mount for recessed or surface mount applications, which must be ordered separately.

**ELECTRICAL** - Two-stage surge protection (including separate surge protection built into electronic driver) meets IEEE C62.41.2-2002, Scenario 1, Location Category C Low, 10KV. Available with universal voltage power supply 120-277VAC (UE - 50/60Hz input).

**DRIVERS** - Available in Super Saver (SS) and High Output (HO) drive currents. Components are fully encased in potting for moisture resistance. Complies with IEC and FCC standards. Optional 0-10V dimming driver available, with controls by others.

**OPERATING TEMPERATURE** - -40°C to +40°C (-40°F to +104°F).

**FINISH** - Fixtures are finished with LSI's DuraGrip® polyester powder coat finishing process. The DuraGrip finish withstands extreme weather changes without cracking or peeling.

**WARRANTY** - LSI LED fixtures carry a limited 5-year warranty.

**PHOTOMETRICS** - Please visit our web site at [www.lsi-industries.com](http://www.lsi-industries.com) for detailed photometric data.

**SHIPPING WEIGHT (IN CARTON)** - 18 lbs. (8.2 kg.)

**LISTINGS** - UL listed to UL 1598, UL8750 and other U.S. and International safety standards. Suitable for wet locations.

This product, or selected versions of this product, meet the standards listed below. Please consult factory for your specific requirements.



LIGHT OUTPUT - PFLM					
		NEMA Type	Lumens (Nominal)	Watts (Nominal)	LPW
Cool White	SS	7x7	2911	31	94
	HO	7x7	4536	49	93
Neutral White	SS	7x7	2485	31	80
	HO	7x7	3815	49	78



Project Name \_\_\_\_\_ Fixture Type \_\_\_\_\_  
 Catalog # \_\_\_\_\_

# LED FLOOD LIGHT - MEDIUM (PFLM)



## LUMINAIRE ORDERING INFORMATION

TYPICAL ORDER EXAMPLE: **PFLM WFL LED SS CW UE BRZ**

Prefix	Distribution	Light Source	Drive Current	Color Temperature	Input Voltage	Finish	Options
PFLM - Medium LED Flood	WFL - Wide Flood Flood	LED	SS -Super Saver HO - High Output	CW - Cool White NW - Neutral White	UE - Universal Voltage (120-277V)  347-480 Universal Voltage (347-480V) <sup>1</sup>	BLK - Black BRZ - Bronze GPT - Graphite BRZ - Bronze MSV - Metallic Silver PLP - Platinum Plus SVG - Satin Verde Green WHT - White	PC120 - Photocell 120v PGHV - Photocell 208-277v PC347 - Photocell 347v YM - Yoke Mount DIM - 0-10v Dimming

1 - PCI option is not available in 480V.

## BRACKET ORDERING INFORMATION

Bracket Designation	Bracket Type	Bracket Configuration	Length	Bracket Finish	Options	Est. Weight (lbs.)
BKA - Bracket Aluminum	PFLM	SMC - Stanchion Mount	23"	BRZ - Bronze BLK - Black PLP - Platinum Plus BUF - Buff WHT - White GPT - Graphite SVG - Satin Verde Green MSV - Metallic Silver	None	7
		J4R WM - Wall Mount	4"			2
		J4R WM SCE - Wall Mount Side Conduit Entry				


TYPICAL ORDER EXAMPLE: **BKA PFLM SMC 23 BRZ**

## ACCESSORY ORDERING INFORMATION (Accessories are field installed)

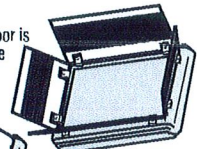
Description	Order Number	Description	Order Number
JB - Junction Box	122534CLR	PS - Polycarbonate Shield	122541
BD - Barn Doors	122539CLR	PT - Post Top Adaptor	122542CLR
GS - Glare Shield	122540CLR	TA - Thread Adaptor 1/2" (No Finish)	122543


**ARCHITECTURAL JUNCTION BOX (JB)** - Cast aluminum body and extruded matching cover. One-piece EPDM cover gasket. Internal ground screw provided. 3/4" NPSM fixture mount with sealing locknut. Two 1/2" NPSM for conduit entry. For above grade installation only. Available in standard finishes.



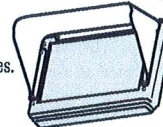
**BARN DOORS (BD)** - Extruded aluminum doors with anti-reflection baffles. Each door is attached with two aluminum clamps with set screws to maintain position. Doors are individually removable. Assembly mounts to die-cast door frame holes. Caution: Not recommended for ground-mounted fixtures in vandal-prone areas. Available in standard finishes.




**POST TOP ADAPTOR (PT)** - One-piece cast aluminum - mounts on pole with 2" pipe tenon (2-3/8" OD x 3-1/2" minimum length) or 2-1/2" pipe tenon (2-7/8" OD x 3-1/2" minimum length). Fixture threads into adaptor and attaches to pole with allen set screws. Post Top Adaptor allows mounting of one or two fixtures and 360° horizontal adjustment. Available in standard finishes.




**GLARE SHIELD (GS)** - Formed 16 ga. steel. Mounts to die-cast door frame holes and may be used with polycarbonate shield accessory. Available in standard finishes.



**1/2" THREADED ADAPTOR (TA)** - Machined aluminum pipe reducer adapts 3/4" pipe thread (T-stem) to 1/2" pipe thread provided by others.

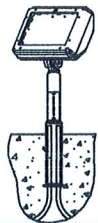


**POLYCARBONATE SHIELD (PS)**  
1/8" clear convex, UV stabilized, thermoformed polycarbonate. Mounts to die-cast door frame holes. May be used with glare shield accessory. Caution: Use only when vandalism is anticipated. Useful life is limited by UV discoloration from sunlight.



## MOUNTING BRACKETS

**STANCHION MOUNT (SMC)** - 3" OD x .250" x 22.65" cast aluminum with 3/4" NPSM fixture mount, and a standard 2 3/8" tenon. Wiring and internal ground lug accessible through hand hole. Available in standard finishes.



**WALL MOUNT J-BOX (J4 WM or J4R WM SCE)** - Accessory includes J4R J-Box, 507504 3/4-14 NPS canopy, canopy gasket, & 4 cap screws. J4R WM SCE version for surface mount conduit applications includes 2ea 1/2" conduit entries & includes conduit plugs.

